

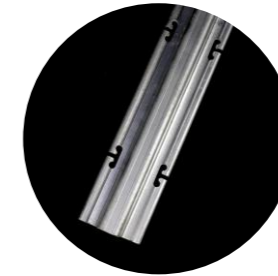
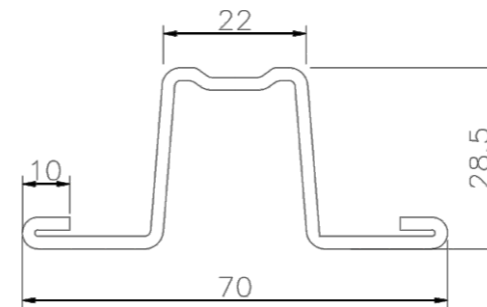


AGROW[®]
METALS
 VERSATILE
 U CHANNEL POSTS

CRIMPED EDGE POSTS/STAKES

RANGE# PST-CEU125/22

The crimped edge posts, also known as rolled edge stakes, bent edge poles, are ideal for VSP Systems, T-Bar Trellis System or Modified Sprawl Trellis Systems. It features in the reinforced edges for extreme strength while minimizing the weight for easy transportation and lower costs in materials. Parallel slots or holes are punched every 4-8 inches along the posts for flexible wire installation on each side, and also made to fit horizontal crossarm when necessary.



FEATURES:

- Made of **HSS 340™** Premium Steel
- Coatings available:
Hot rolled black/ Pre-galvanized/ Hot dipped galvanized/ Tri-Layer Coated™
- Typical paired T-notch spaced 6" intervals and total 6 sets along each overall piece or customized Slots/holes subject to specifications
- Flat edge for easy attachment to cross pieces or wood panels
- Choices of varied patterns for different trellis or fence applications
- Lengths are cut to specifications
- Standard sizes are as per below chart
- Custom fabrication service available for specified patterns

ITEM #	PARTS DESCRIPTIONS	GAUGES AVAIL.	WEIGHT		GENERAL APPLICATIONS
CEV125/22-1.5	Crimped Edge U Channel Post	1.5 mm/16GA	1.47 kg/m	0.99lbs/ft	VSP Trellis for Wine Grape Open Gable Trellis for Table Grape T-bar Trellis for Berries Tutara AVY for Apple/ Pears/ Cherry Expanded Arm for Trellis System Sign Post Garden Fence
CEV125/22-1.8	• Crimped Edge	1.8 mm/15GA	1.77 kg/m	1.19lbs/ft	
CEV125/22-2.0	• U Channel Profile	2.0 mm/14GA	1.96 kg/m	1.32lbs/ft	
CEV125/22-2.3	• Actual Sizes:67x28.5mm	2.3 mm/13GA	2.26 kg/m	1.52lbs/ft	
CEV125/22-2.5	• Tapered ends for easy installation	2.5 mm/12.5GA	2.45 kg/m	1.65lbs/ft	

AGROW[®]
METALS